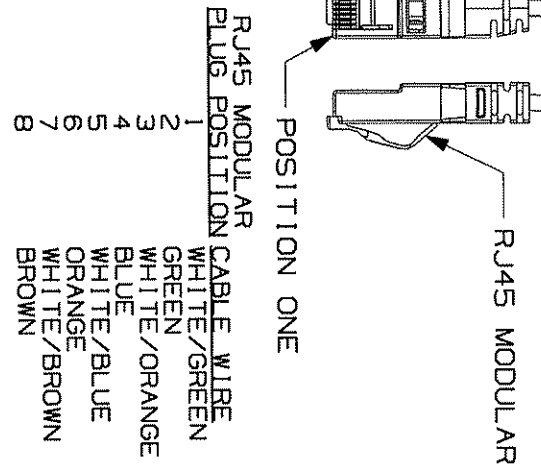
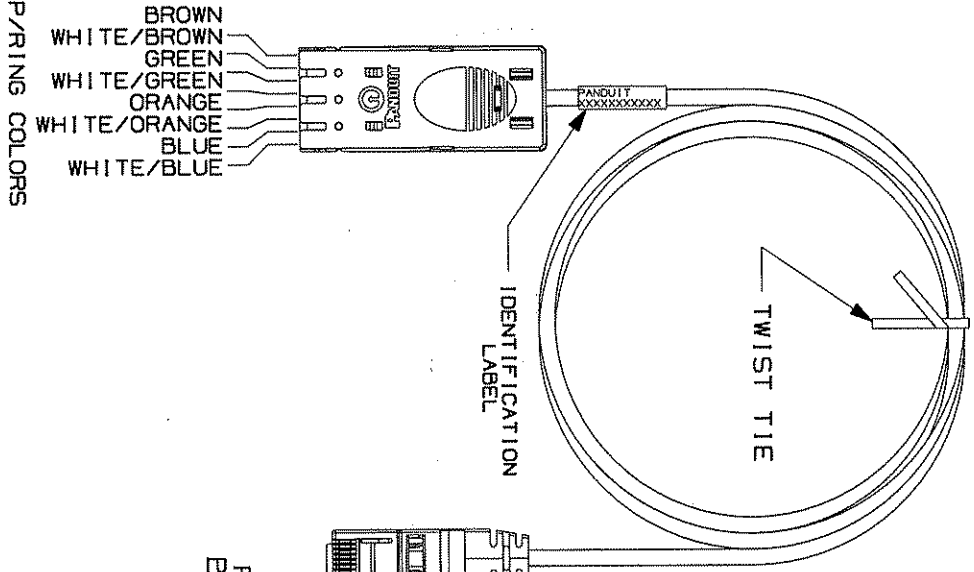


THIS COPY IS PROVIDED ON A RESTRICTED BASIS AND IS NOT TO BE USED IN ANY WAY DETRIMENTAL TO THE INTERESTS OF PANDUIT CORP.

- NOTES:
1. SEE CURRENT CATALOG FOR VARIOUS APPLICATIONS AND TO INDICATE PACKAGE QUANTITY.
 2. GIGA-PUNCH CONNECTOR ON ONE END AND AN RJ45 MODULAR PLUG WIRED TO EIA/TIA 568A ON THE OTHER END. PATCH CORDS CAN BE USED WITH GIGA-PUNCH FOUR-PAIR CONNECTING BLOCKS.
 3. THE GIGA-PUNCH PATCH CORD IS POLARIZED TO PREVENT REVERSE INSTALLATION ON THE CONNECTOR BLOCK. INCORPORATES A CABLE JACKET RETENTION FEATURE WHICH MINIMIZES WIRE UNTWISTING, AND HAS AN INTEGRAL STRAIN RELIEF.
 4. PATCH CORDS CONSTRUCTED USING UL OR ETL VERIFIED CABLE.
 5. MATERIAL: CONNECTOR: POLYCARBONATE
CABLE: CAT6, 24 AWG STRANDED-TIN/COPPER
JACKET: PVC
JACKET COLOR: WHITE
 6. THIS CABLE SHOULD ONLY BE USED IN INTERCONNECT APPLICATION.



PANDUIT PART NUMBER	MIN. CABLE LENGTH	WEIGHT
GPPC41G3AY	3 FT.	.81 LB/10 PCS 1.41 LB/10 PCS
GPPC41G5AY	5 FT.	1.34 LB/10 PCS 1.607 LB/10 PCS
GPPC41G7AY	7 FT.	1.85 LB/10 PCS 1.838 LB/10 PCS
GPPC41G9AY	9 FT.	2.30 LB/10 PCS 1.041 LB/10 PCS
GPPC41G14AY	14 FT.	3.42 LB/10 PCS 1.550 LB/10 PCS
GPPC41G20AY	20 FT.	4.79 LB/10 PCS 1.2172 LB/10 PCS
GPPC41G1MAY	1 METER	.97 LB/10 PCS 1.389 LB/10 PCS
GPPC41G2MAY	2 METERS	1.71 LB/10 PCS 1.775 LB/10 PCS
GPPC41G3MAY	3 METERS	2.45 LB/10 PCS 1.1111 LB/10 PCS
GPPC41G5MAY	5 METERS	3.83 LB/10 PCS 1.1783 LB/10 PCS

MODEL FILENAME: MO2479JU_DC257_00A.PRT
DRAWING FILENAME: MO2479JU_DC257_00A.PRT
TITLE: GIGA-PUNCH TO RJ45 EIA/TIA 568A PATCHCORD CUSTOMER DRAWING
SIZE: A

PANDUIT CORP.
TINLEY PARK, ILL. 60477

ALL DIMENSIONS ARE GIVEN IN INCHES, UNLESS OTHERWISE SPECIFIED.
DIMENSIONAL TOLERANCES ARE:
1. .XX1 ± .0101(.3)
1. .XX1 ± .031(.8) ANGLES ±

REVIEW DRAWING NUMBER/SHEET: SEE NOTES

PRODUCT SPEC: NONE
WORK INSTRUCTION: NONE
SCALE: NONE
PART NO.: GPPC41G**AY
DRAWING NO.: 02479-257

REV	DATE	BY	CHK	DESCRIPTION	ECN	R	CUST	SUP	OTH
R	3-20-06	NER	ME	RELEASED FOR PRODUCTION	02479-257				